

# GTB Topper

## Technical Specification

Issue 02: 02.04.09



**Contents:**

**Introduction:..... 2**  
**Operating Specifications: ..... 3**  
**LED Sequence Routines: ..... 4**  
**Topper Dimensions: ..... 7**  
**Artwork Template: ..... 8**  
**Base Options:..... 8**  
**Part Numbers: ..... 9**

**Disclaimer:**

The information provided within this manual is intended only to make the reader aware of the product's technical data and its use thereof. As such, Gamesman Ltd shall not be held liable for any loss or damage to the assembly or component within, arising from its misuse or from the unintended use of information or particulars included within, or any omission from, this document.

Design and specifications are subject to change without notice.

Failure to observe the interface requirements specified in this document may result in damage to the electronics and resultant performance characteristics of the product.

## Introduction:

The GTB Topper is designed to be mounted on top of gaming machines/cabinets within the casino and/or AWP sector. The topper fundamentally acts as an initial attention grabber, as well as having the ability to promote the machine in question and conveying the game's design intent.

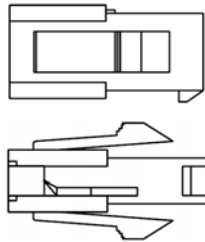
Gaming manufacturers utilising this topper design should expect to see heightened game pleasure and positive feedback from consumers.

The main benefits of the Gamesman GTB Topper include:

- Injection Moulded for strength and durability
- 32 bright white LEDs
- Custom LED sequences to your request
- Fluoro tube or CCFL backlighting (coming soon)
- 12V DC input
- Optional mounting bases
- Optional towerlights
- 6 selectable program modes for different LED sequences
- Printed artwork and plexi panel available on request
- RGB Option

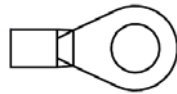
## Operating Specifications:

The GTB Topper is powered by 12v DC. The connector found on the power cable exiting the topper is as below:



Connector: Molex Part # 39-01-2021  
 Terminals: Molex Part # 39-00-0062

There is also a yellow ground cable that is to be grounded inside the cabinet. This has a ring terminal that fits an M4 stud.



Typical electrical ratings for the product are shown below;

Parameter	Value	Unit
Power Supply	12	Vdc
Max. Current Consumption	760	mA
Max. Power Draw	9.2	W

## Topper Backlighting:

The backlighting for the standard topper is provided via a fluorescent tube, details of which are;

**Description:** GE Electric T5 Fluorescent Tube

**Diameter:** 16mm

**Length:** 305mm

**Power Consumption:** 8 Watts


**Colour Temp:** 4100K (Cool White)


**GE Part Number:** T5/8W41K

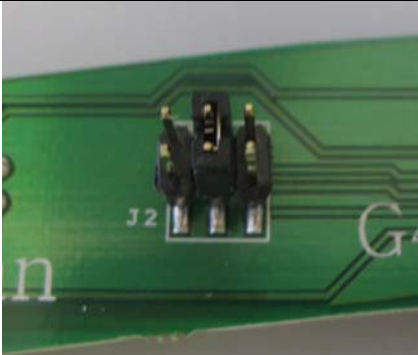
Nb. CCFL Backlighting coming soon.

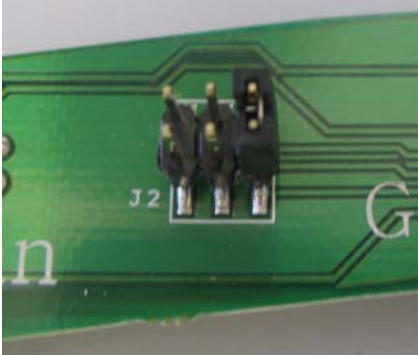
## LED Sequence Routines:

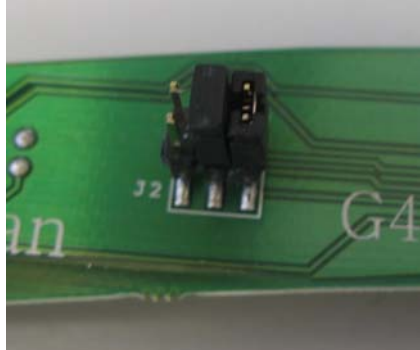
The topper consists of 32 bright white LEDs located in the bezel running around the periphery of the product. There are 6 standard sequences from which to choose from. The patterns of such sequences are explained below and are selected by positioning a jumper on the appropriate terminals of the PCB during the production stage:

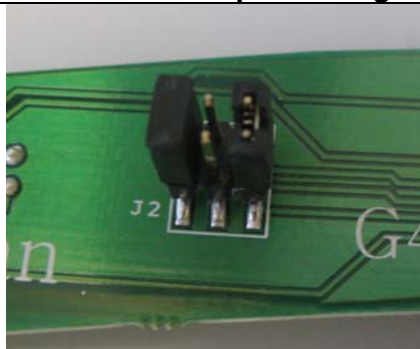
<b>Scheme 1</b>	<b>No Jumper.</b>
Description: Normal speed sequence	
Description of running pattern:	All on
	Wipe off down
	Twin LED chase
	Fill down
	Wipe off up
	Wipe up
	Wipe off down
	Wipe out (x2)
	3 blink chase
	Multiple LED chase
	Clear LEDs
	Twin LED chase
	Flash 4 times

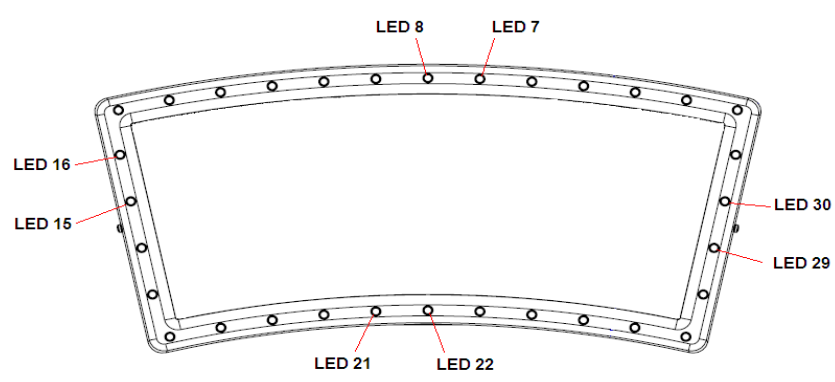
<b>Scheme 2</b>	<b>1 Jumper on left side.</b>
Description: Simple repeated trail.	
Description of running pattern	Twin LED Chase

<b>Scheme 3</b>	<b>1 Jumper in middle.</b>
Description: Fastest speed sequence	
Description of running pattern	Flash 3 times
	Rotate alternate LEDs
	Flash
	Rotate alternate LEDs
	Fill Clockwise x2
	Flash x3
	Wipe up & Wipe off (repeated 4 times)
	8 LED spin
	Fill down
	4 way fill

<b>Scheme 4</b>	<b>1 Jumper on right.</b>
Description: Slow speed sequence	
Description of running pattern	4 way fill
	Multi-chase
	Wipe up
	Wipe out
	Alternate LED spin
	8 LED spin
	Wipe down

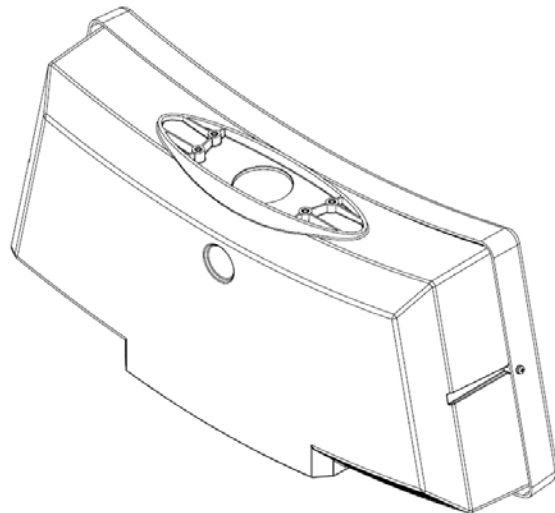
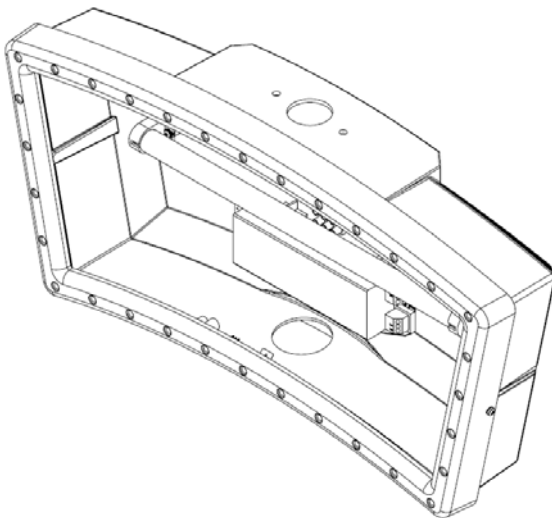
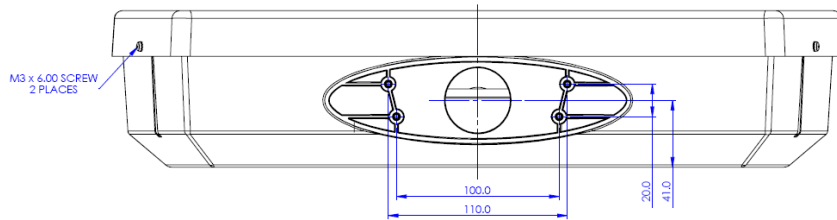
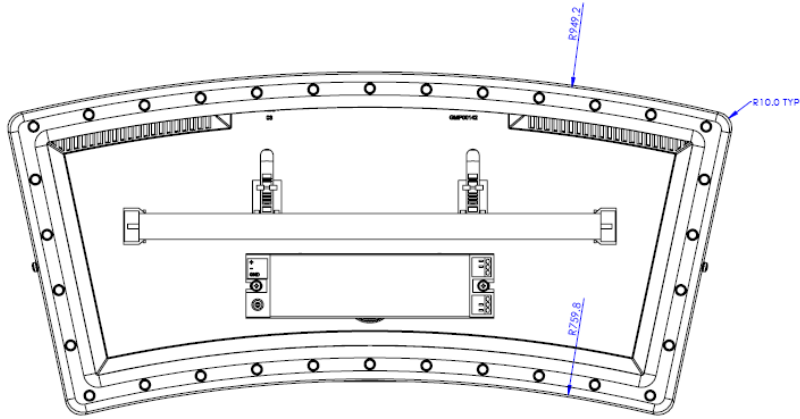
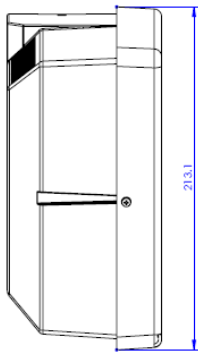
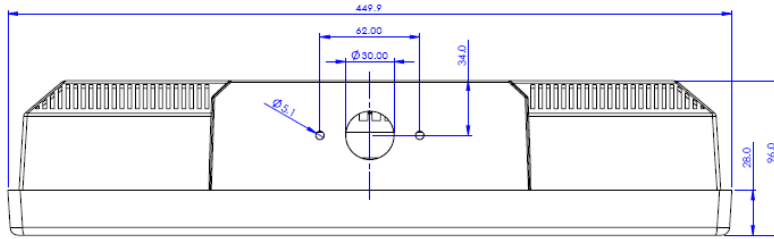
<b>Scheme 5</b>	<b>2 Jumpers on right &amp; middle.</b>
Description: All LEDs always on.	
Description of running pattern	All LEDs always on.

<b>Scheme 6</b>	<b>2 Jumpers on right &amp; left.</b>
Description: Slow Testing sequence.	
Description of running pattern	All LEDs flash x 2
	<p>The LED's will then come on in batches of 8, following a clockwise pattern</p> <ul style="list-style-type: none"> <li>• Batch 1 – LED No. 7 to LED No. 30</li> <li>• Batch 2 - LED No. 29 to LED No. 22</li> <li>• Batch 3 – LED No. 21 to LED No. 15</li> <li>• Batch 4 - LED No. 16 to LED No. 8</li> </ul>



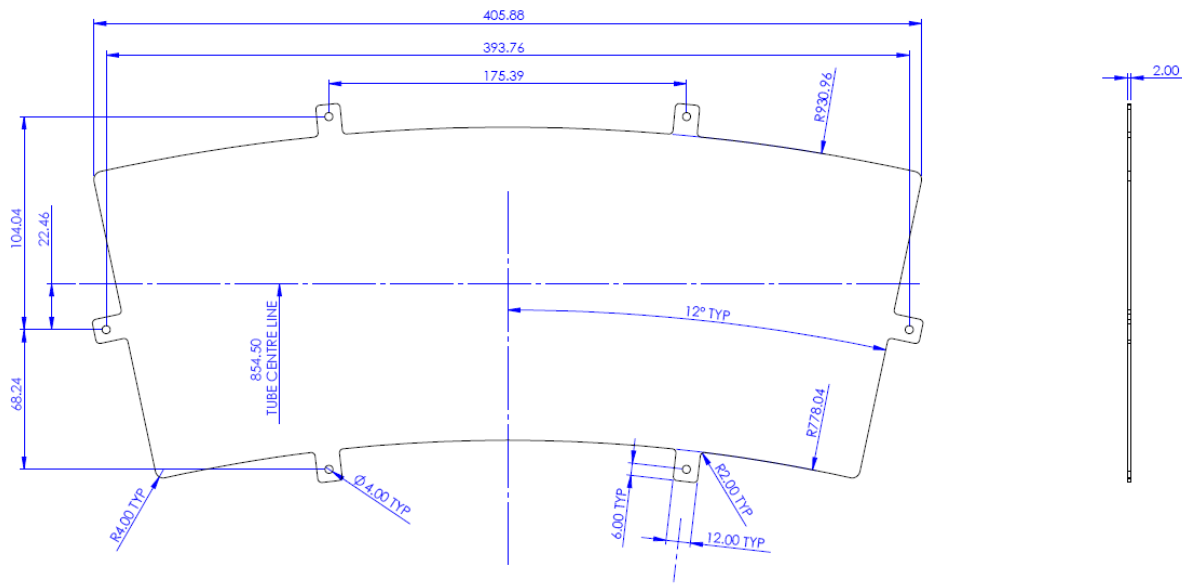
Video of sequences available on request. If you require a custom sequence that is not shown above, please contact Gamesman for specific requirements.

**Topper Dimensions:**



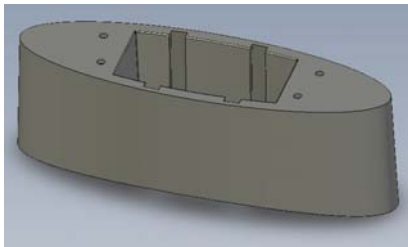


## Artwork Template:

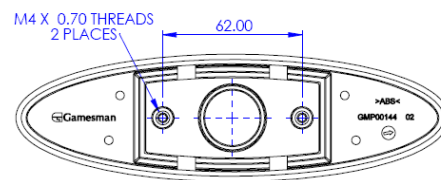
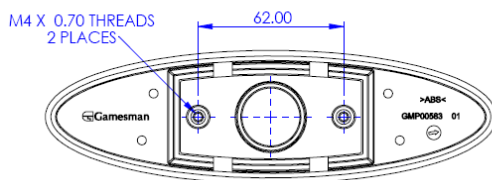
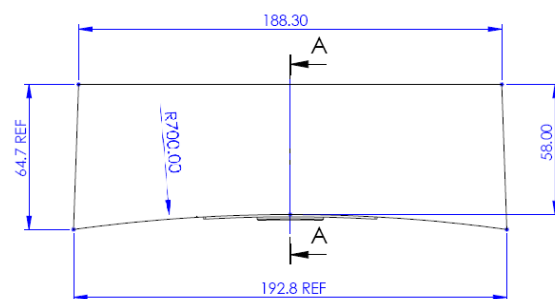
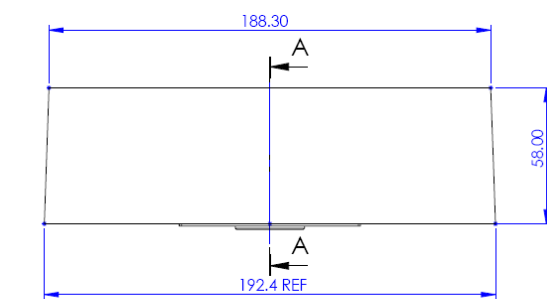
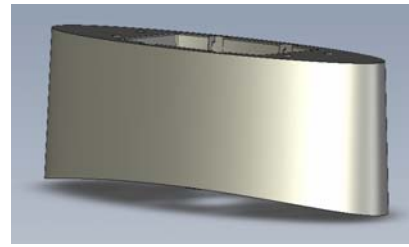


## Base Options:

Flat:



Curved:



Bases are available in a black or chrome finish – please see following part number matrix.

**Part Numbers:**

Gamesman P/N:	GFA00584	GFA00648	GFA00649*	GFA00650*	GFA00758
<b>Topper Features:</b>					
Flouro Tube Backlighting	Yes	Yes	No	No	Yes
CCFL Backlighting*	No	No	Yes	Yes	No
Plug fitted to hole in bezel top	Yes	Yes	Yes	Yes	Yes
Flat Base, Black	Yes	No	Yes	No	No
Flat Base, Chrome	No	No	No	No	Yes
Curved Base, Chrome	No	Yes	No	Yes	No
Configured with LED Sequence 1	No	No	No	No	No
Configured with LED Sequence 2	No	No	No	No	No
Configured with LED Sequence 3	No	No	No	No	No
Configured with LED Sequence 4	Yes	Yes	Yes	Yes	Yes
Configured with LED Sequence 5	No	No	No	No	No
Configured with LED Sequence 6	No	No	No	No	No

\*Coming soon

Further configurations possible. Please contact Gamesman Ltd. with your specific requirements.



# Gamesman

**GAMESMAN LTD**  
**CROMPTON FIELDS, CROMPTON WAY, CRAWLEY, WEST SUSSEX, RH10 9QB**  
**TEL: +44 (0) 1293 418888 FAX: +44 (0) 1293 418880**

REGISTERED IN ENGLAND NO. 3027138

Website: [www.gamesman.co.uk](http://www.gamesman.co.uk)  
Email: [sales@gamesman.co.uk](mailto:sales@gamesman.co.uk)